



### DESCRIPTION

Pole adaptor module in stainless steel sheeting AISI 316L. For UEBW (ULISSE EVO) and NVX, NTX cameras.

### TECHNICAL DATA

#### MECHANICAL

Bracket for UEBW (ULISSE EVO) and for NVX, NTX cameras

AISI 316L stainless steel construction

For pole diameters: from 60mm up to 200mm

Dimensions: 121x85mm (4.7x3.3in)

Unit weight: 0.35kg (0.77lb)

#### PART NUMBER

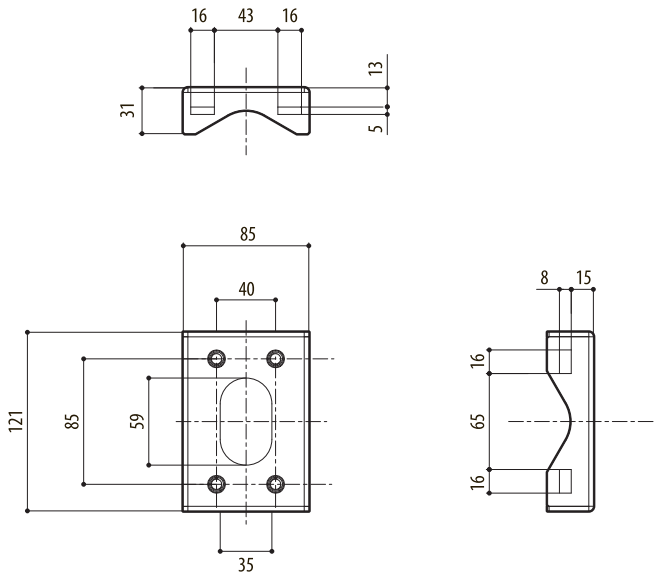
UEAP Pole adaptor in stainless steel AISI 316L

#### PACKAGE

Model Number	Weight	Dimensions (WxHxL)	Master carton
UEAP	0.6kg (1.3lb)	9.5x13x19.5cm (3.7x5x7.7in)	-

### TECHNICAL DRAWINGS

The indicated measurements are expressed in millimetres.



UEAP